



Influenced by modernist architecture, KONNECT displays light in multiple ways between functional illumination and customizable art decor - arrangements of panel-based LEDs that set the mood you want to create a distinctive lighting style.

Exclusive Seed-Jack joint is designed to connect into wireless arrangements capable of glowing from up or down by quick-release operation, which brings the space ever-changing perspectives evoking every poetic moment.

By Chang, Huan Rou 張幻柔



reddot winner 2023
lighting design

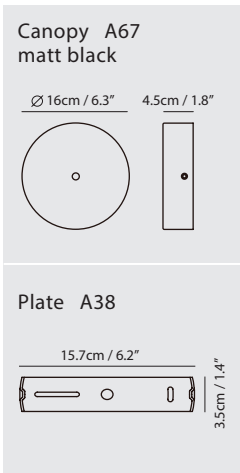
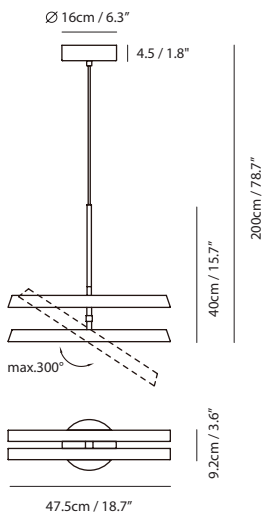




champagne gold



matt black



Konnect Pendant PV4

Model
SLD-3983PV4

Material
steel, PC

Light Source
LED 4 x 5.5W 3000K CRI98 949lm

Dimming
0-10V

Weight
1.8kg / 4.0lb

- Color**
- champagne gold + matt black canopy
 - matt black + matt black canopy



*Quick-Release Jack allow the light direction to be oriented upwards or downwards at time of installation. Release the bottom half of the pendant to change light orientation.



Influenced by modernist architecture, KONNECT displays light in multiple ways between functional illumination and customizable art decor - arrangements of panel-based LEDs that set the mood you want to create a distinctive lighting style.

By Chang, Huan Rou 張幻柔

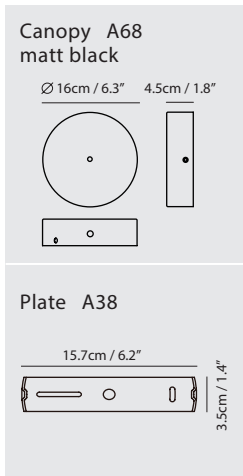
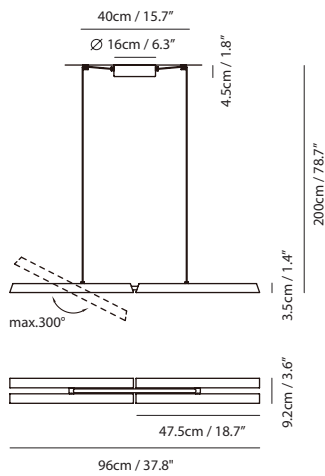




champagne gold



matt black



Konnect Pendant PL4

Model
SLD-3983PL4

Material
steel, PC

Light Source
LED 4 x 5.5W 3000K CRI98 1052lm

Dimming
0-10V

Weight
1.8kg / 4.0lb

- Color**
- champagne gold + matt black canopy
 - matt black + matt black canopy

KONNECT

SEEDDESIGN

www.SeedDesignUSA.com



Influenced by modernist architecture, KONNECT displays light in multiple ways between functional illumination and customizable art decor - arrangements of panel-based LEDs that set the mood you want to create a distinctive lighting style.

By Chang, Huan Rou 張幻柔

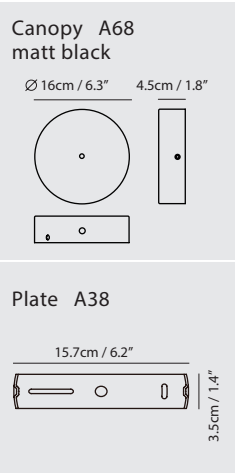
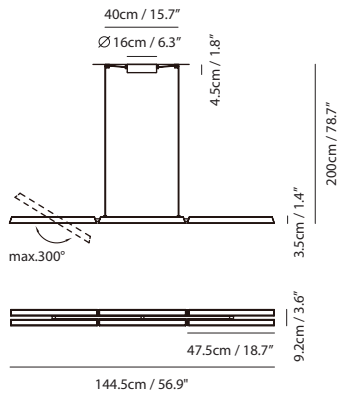




champagne gold



matt black



Konnect Pendant PL6

Model
SLD-3983PL6

Material
steel, PC

Light Source
LED 6 x 5.5W 3000K CRI98 1529lm

Dimming
0-10V

Weight
2.5kg / 5.5lb

- Color**
- champagne gold + matt black canopy
 - matt black + matt black canopy



Inspired by modernist architecture, the KONNECT series offers a dynamic blend of functional illumination and customizable art decor. Its panel-based LED system allows you to craft a unique lighting style that sets the perfect mood for any space.

The Konnect P10 model stands out as the most versatile in the collection. Featuring ten independently adjustable light panels that rotate up to 300 degrees, it provides endless possibilities for light arrangements. With a swift adjustment, the light can effortlessly transform from a silhouette of simple elegance to a striking, dramatic architectural form.

By Chang, Huan Rou 張幻柔

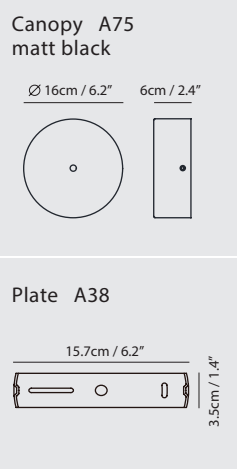
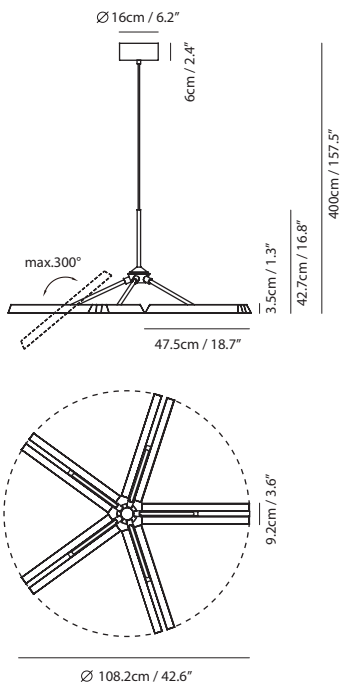


champagne gold



matt black

Measurement : centimeter / inches



Konnect Pendant PL10

Model
SLD-3983P10

Material
steel, PC

Light Source
LED 10 x 5W 3000K CRI98 5500lm

Driver
Built-in dimmable driver
(Triac dimming)

Weight
5kg / 11lb

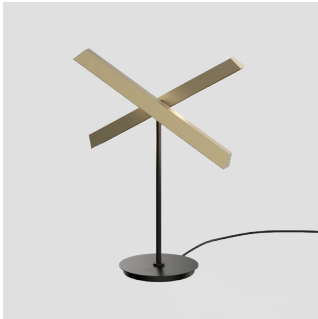
- Color**
- champagne gold + matt black canopy
 - matt black + matt black canopy





Inspired by modernist architecture, the KONNECT table lamp masterfully balances functional illumination with ambient lighting. Its design features two light panels that rotate an impressive 300 degrees each, allowing for versatile light distribution. Additionally, the lamp offers seamless dimming capabilities with just a touch of a button, providing precise control over your lighting needs.

By Chang, Huan Rou 張幻柔

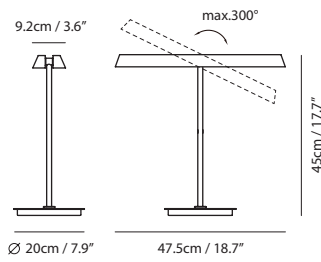


champagne gold



matt black

Measurement : centimeter / inches



Konnect Table

Model
SLD-3983DTE

Material
steel, PC

Light Source
LED 2 x 6W 3000K CRI98 1320lm

Feature
Touch dimmer switch

Weight
1.7kg / 3.7lb

Cord
200cm / 78.7"

Color

- champagne gold + matt black
- matt black