

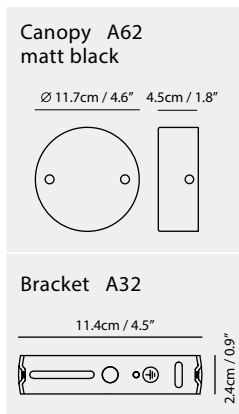
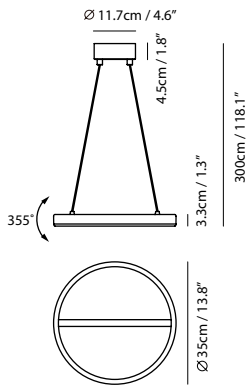


SOL collection is low-key design with elaborate consideration, consists of pendant, table lamp and even bow lamp type. SOL's ring-like lampshade is finely affixed to a metallic luster balance bar, demonstrating the definition of understated luxury. The adjustable ring tilt allows the pendant to function almost like a planet floating on a track of stars. Invisible LED strip makes the light source impeccable, with a gradual dimming capability, rendering it possible for you to re-create your own personal sunrise and sunset.

By Kuo, Keng Dian 郭庚典



matt black + copper



SOL Pendant S

Model
SLD-350P

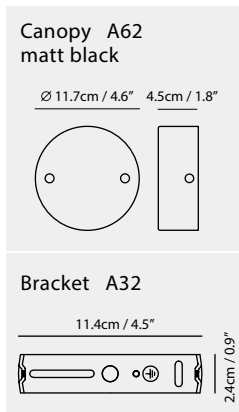
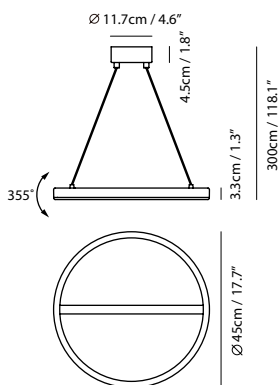
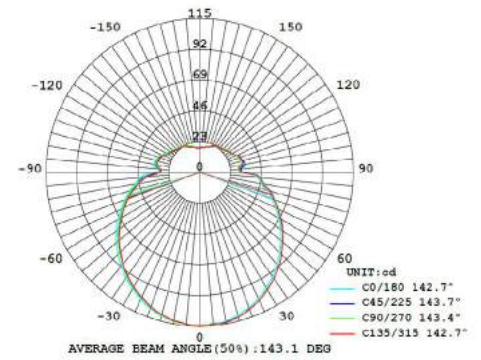
Material
metal, aluminum, PP

Light Source
LED 17W 2700K CRI90 622lm

Driver
Built-in dimmable driver
(Triac dimming)

Weight
1.2kg / 2.7lb

Color
● matt black + copper



SOL Pendant L

Model
SLD-450P

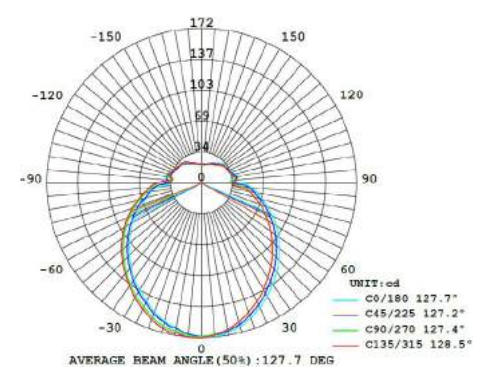
Material
metal, aluminum, PP

Light Source
LED 21W 2700K CRI90 802lm

Driver
Built-in dimmable driver
(Triac dimming)

Weight
1.5kg / 3.5lb

Color
● matt black + copper

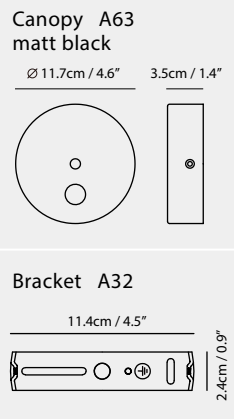
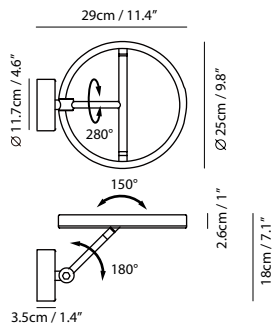


* Prior to installation, user can decide to have the light source point "up" or "down" base on deisgn requirements.





matt black + copper



SOL Wall

Model
SLD-250WRTE

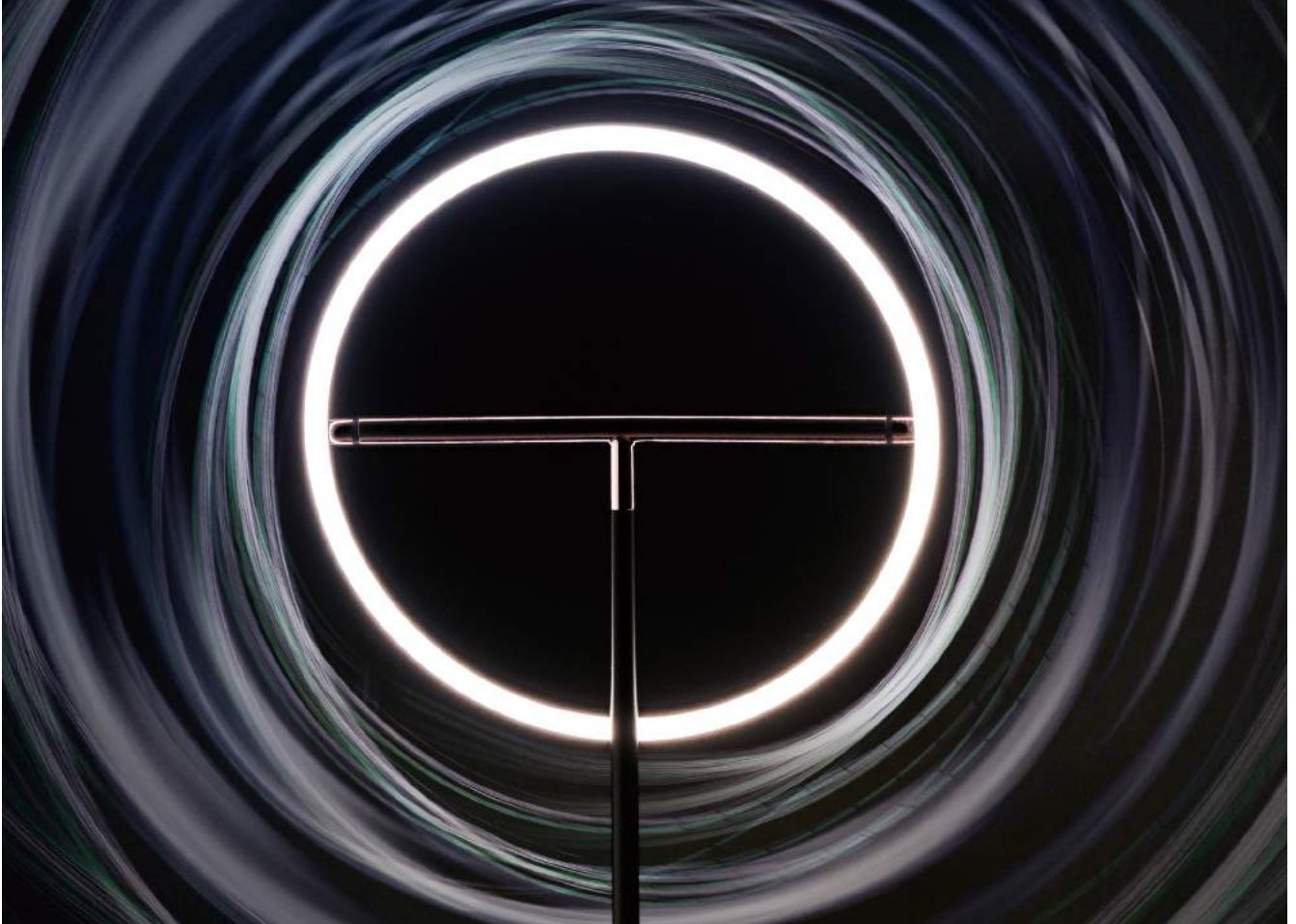
Material
metal, aluminum, PP

Light Source
LED 7W 2700K CRI90 250lm

Feature
Touch dimmer switch

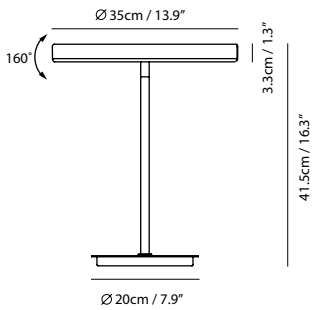

Weight
1kg / 2.2lb

Color
● matt black + copper





matt black + copper

**SOL Table****Model**
SLD-350DTE**Material**
metal, aluminum, PP**Light Source**
LED 15W 2700K CRI90 550lm**Feature**
Touch dimmer switch**Weight**
2kg / 4.4lb**Cord**
215cm / 84.7"**Color**
 matt black + copper

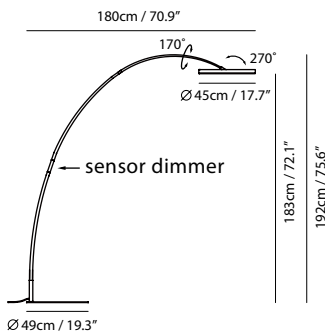



Meet the SOL bow lamp, an extension of the SOL series. Produced in carbon fiber, SOL bow lamp is undoubtedly a product that is sturdy, every inch resilient in structure and ideally completing the original idea from designer.

By Kuo, Keng Dian 郭庚典



matt black + copper

**SOL Floor****Model**
SLD-450FLE**Material**
carbon fiber, metal, aluminum, PP**Light Source**
LED 21W 2700K CRI90 802lm**Feature**
Optical sensor dimmer**Weight**
15.3kg / 33.7lb**Cord**
235cm / 92.5"**Color**
 matt black + copper